

SL10 RANGE | GENERATION 2

THE RIGHT LUMINAIRE FOR ANY APPLICATION



STREETLIGHT 10 MICRO LED

- For side streets and pedestrian paths
- Mounting height: 4 to 6m
- Light colour: 3,000K, 4,000K, 5,000K

- LED module for standard-compliant road lighting with high uniformity
- LED module for cycle paths with asymmetric distribution



STREETLIGHT 10 MINI LED

- For service roads, collecting roads and plazas
- For outdoor and logistics areas in industry
- Mounting heights: 4 to 8m
- Light colour: 3,000K, 4,000K, 5,000K

- LED module for standard-compliant road lighting with high uniformity
- LED module for cycle path lighting with wide mounting distances



STREETLIGHT 10 MIDI LED

- For main roads, collecting roads, roundabouts and plazas
- For outdoor and logistics areas in industry
- Light colour: 4,000K, 5,000K

- LED module for standard-compliant road lighting with high uniformity
- LED module for pedestrian crossings with standard-compliant light



Functional Packages	Standard		Efficiency			Communication	
	Overheat Protection	Power Reduction	Flexible Configuration of Luminous Flux	Time-dependent Luminous Flux Control	Constant Luminous Flux Control	Digital Communication Interface	Street Light Control
Premium	●	●	●	●	●		●
Plus	●	●	●	●	●	●	
Basic	●	●					

SL10 MICRO LED

STREET LIGHT LED (CATEGORY P & V)

FEATURES

- Basic, Plus and Premium Versions available depending on control requirements
- Post-top or side-entry mounting
- White LED with reflectors, asymmetric light with homogeneous, wide distribution and with flat, formed cover
- Microprocessor-controlled LED operating electronics with control functionality for lighting management and monitoring
- Replaceable LED module
- Gradiated flange allows precise tilt adjustment (0°, +/-10°, +/-15°)
- Mast flanges for spigot sizes 42/60/76mm
- Long LED system life of 60,000 hours
- Colour temperatures available in 3000K, 4000K and 5000K

KEY APPLICATIONS

- Roadway (P & V)
- Pedestrian
- Car Park
- Amenity
- Security



siteco

The decisive difference between high and low quality LED road luminaires is to be found in their lighting technology. Here the SL10 sets new standards with its innovative, efficient technical solutions.

The LED module with its highly precise optical systems of LED arrays, High Definition reflectors and visor guides the light onto the road surface with a high degree of precision, achieved to an extent and in a quality that can hardly be matched. In contrast to the all-round light distribution of conventional lamps, LEDs radiate light exclusively into the lower hemisphere. Emitted light is guided with a great precision onto the road via the sophisticated faceted surfaces of each high definition reflector.

Basic: with electronic control gear is fitted as standard, featuring overheat protection.

Options of Constant luminous flux control with Siteco "Plus" and "Premium" control gear compensates for the reduction of luminous flux resulting from ageing. Over designing is no longer required, providing energy savings and increasing the service life whilst maintaining a constant light level.

Additional features of the Siteco "Plus" or "Premium"

LUMINAIRE CONSTRUCTION

- LED Module 4000K CCT as standard
- Pressure die-cast aluminium body with hinged access cover and integrated heat sink
- Acrylic visor
- Side entry mounting, fits 42 / 60mm O.D. pipe
- Post Top mounting, fits 60 / 76mm O.D. pipe with adjustable upcast: 0°, 5°, 10°, 15°
- IP66 LED module
- IP65 control gear chamber
- Class II
- Powdercoated Siteco metallic grey (DB702S) as standard

electronic control gear as follows.

Plus Version: with constant light output system, providing energy savings in the order of 15%. Variable power/setting to enable light output to be tailored for each application. Time dependent step dimming system (no control wires required). Overheat protection.

Premium Version: with light management and control system ready (over powerline) providing maximum flexibility. Network programmable luminaire control, switching, dimming & monitoring. Constant light output system, providing energy savings in the order of 15%. Variable power/setting to enable light output to be tailored for each application. Time dependent step dimming system (no control wires required). Overheat protection.

The LED module and control gear is easily replaceable in the event of failure or future upgrades.

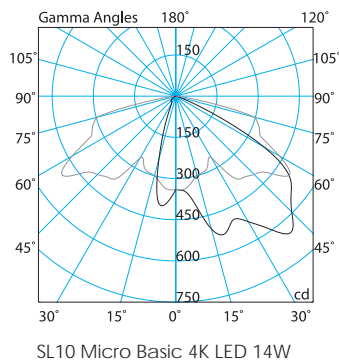
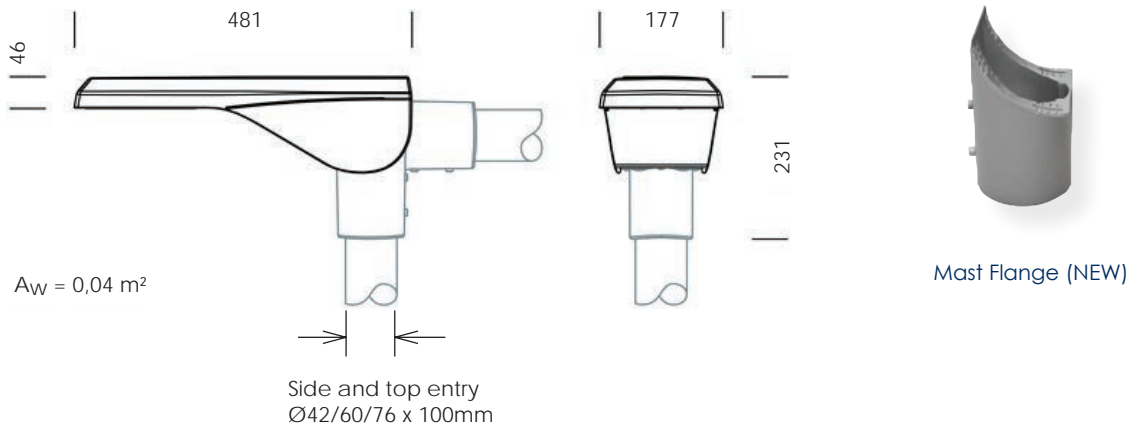
An innovative mounting system allows the luminaire to be side or post top mounted.

OPTIONS AVAILABLE

- LED module colour temperature options 3000K & 5000K
- Dimming
- "Premium" or "Plus" electronic control gear
- Polyester powdercoat finish in various RAL colours
- Cycleway path optics

Description	CCT	CRI	Lm	W	mA	lm/W	Weight	Order
Standard								
SL10 MICRO LED Basic	4000K	70	1350	14	360	96	3.4kg	RAA99001L14
SL10 MICRO LED Plus	4000K	70	1040	11	268	95	3.4kg	RAA99101L14
SL10 MICRO LED Premium	4000K	70	1180	11	268	95	3.7kg	RAA99201L14
SL10 Mast Flanges - Gen 2								
SL10 Mounting Bracket 42mm DB702S							0.4kg	RAAMF4201
SL10 Mounting Bracket 60mm DB702S							0.5kg	RAAMF6001
SL10 Mounting Bracket 76mm DB702S							0.6kg	RAAMF7601

Note: The above codes are for standard products only. Please refer to your local SLA representative for more options. Please order the 'mast cable set' separately for configuration of the "Plus" version with installed luminaire. Please order SLC lighting management components for the "Premium" version separately if required. **Must order mast flange according to spigot diameter and mounting requirement separately.**



SL10 MINI LED

STREET LIGHT LED (CATEGORY P & V)

FEATURES

- Basic, Plus and Premium Versions available depending on control requirements
- Post-top or side-entry mounting
- White LED with reflectors, asymmetric light with homogeneous, wide distribution and with flat, formed cover
- Microprocessor-controlled LED operating electronics with control functionality for lighting management and monitoring
- Replaceable LED module
- Gradiated flange allows precise tilt adjustment (0°, +/-10°, +/-15°)
- Mast flanges for spigot sizes 42/60/76mm
- Long LED system life of 60,000 hours
- Colour temperatures available in 3000K, 4000K and 5000K

KEY APPLICATIONS

- Roadway (P & V)
- Pedestrian Illumination
- Car Park
- Amenity
- Security Lighting



siteco

The decisive difference between high and low quality LED road luminaires is to be found in their lighting technology. Here the SL10 sets new standards with its innovative, efficient technical solutions.

The LED module with its highly precise optical systems of LED arrays, High Definition reflectors and visor guides the light onto the road surface with a high degree of precision, achieved to an extent and in a quality that can hardly be matched. In contrast to the all-round light distribution of conventional lamps, LEDs radiate light exclusively into the lower hemisphere. Emitted light is guided with a great precision onto the road via the sophisticated faceted surfaces of each high definition reflector.

Basic: with electronic control gear is fitted as standard, featuring overheat protection.

Options of Constant luminous flux control with the Siteco "Plus" and "Premium" control gear compensates for the reduction of luminous flux resulting from ageing. Over designing is no longer required, providing energy savings and increasing the service life whilst maintaining a constant light level.

LUMINAIRE CONSTRUCTION

- LED module 4000K CCT as standard
- Pressure die-cast aluminium body
- Integrated heat sink
- Hinged access cover
- Side entry mounting, fits 42 / 60mm O.D. pipe
- Post Top mounting, fits 60 / 76mm O.D. pipe with adjustable upcast: 0°, 5°, 10°, 15°
- IP66 LED module
- IP65 control gear chamber
- Class II
- Powdercoated Siteco metallic grey (DB702S) as standard

Additional features of the Siteco "Plus" or "Premium" electronic control gear as follows.

Plus Version: with constant light output system, providing energy savings in the order of 15%. Variable power/setting to enable light output to be tailored for each application. Time dependent step dimming system (no control wires required). Overheat protection.

Premium Version: with light management and control system ready (over powerline) providing maximum flexibility. Network programmable luminaire control, switching, dimming & monitoring. Constant light output system, providing energy savings in the order of 15%. Variable power/setting to enable light output to be tailored for each application. Time dependent step dimming system (no control wires required). Overheat protection.

The LED module and control gear is easily replaceable in the event of failure or future upgrades.

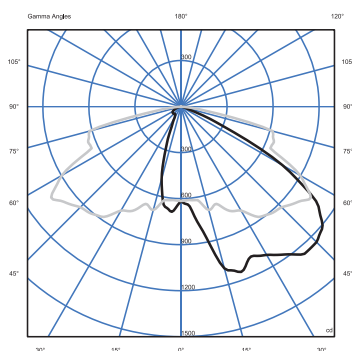
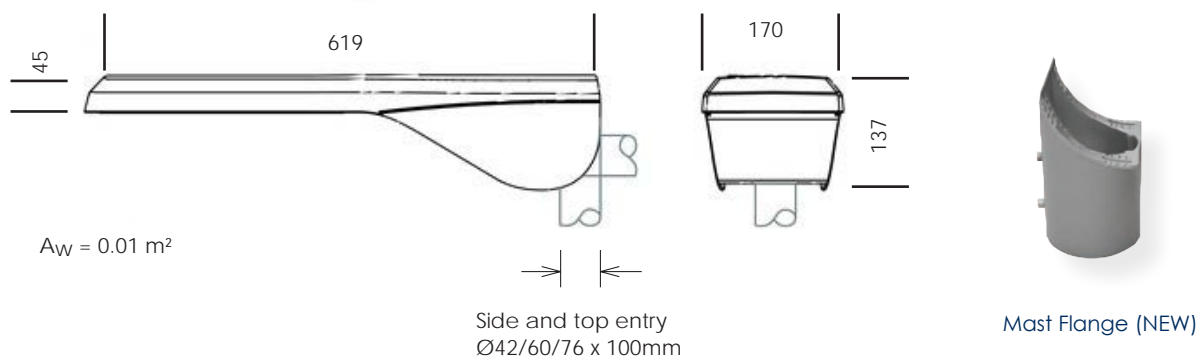
An innovative mounting system allows the luminaire to be side or post top mounted.

OPTIONS AVAILABLE

- LED module colour temperature options 3000K and 5000K
- Dimming
- "Premium" or "Plus" electronic control gear
- Polyester powdercoat finish in various RAL colours
- Cycle pathway optics

Description	CCT	CRI	Lm	W	mA	lm/W	Weight	Order
Standard								
SL10 MINI LED Basic	4000K	70	3320	31	318	107.1	4.9kg	RAA99001L31
SL10 MINI LED Plus	4000K	70	2610	24	242	108.8	4.9kg	RAA99101L31
SL10 MINI LED Premium	4000K	70	2610	24	242	108.8	5.1kg	RAA99201L31
Cycle Pathway								
SL10 MINI LED Basic	4000K	70	2580	26	345	99.2	4.7kg	RAA99001L26
SL10 MINI LED Plus	4000K	70	2150	21	283	102.4	4.9kg	RAA99101L26
SL10 MINI LED Premium	4000K	70	2150	21	283	102.4	5.1kg	RAA99201L26
SL10 Mast Flanges - Gen 2								
SL10 Mounting Bracket 42mm DB702S							0.4kg	RAAMF4201
SL10 Mounting Bracket 60mm DB702S							0.5kg	RAAMF6001
SL10 Mounting Bracket 76mm DB702S							0.6kg	RAAMF7601

Note: The above codes are for standard products only. Please refer to your local SLA representative for more options. Please order the 'mast cable set' separately for configuration of the "Plus" version with installed luminaire. Please order SLC lighting management components for the "Premium" version separately if required. **Must order mast flange according to spigot diameter and mounting requirement separately.**



SL10 Mini Basic 4K 31W



SL10 MIDI LED

STREET LIGHT LED (CATEGORY P & V)

FEATURES

- Basic, Plus and Premium Versions available depending on control requirements
- Post-top or side-entry mounting
- White LED with reflectors, asymmetric light with homogeneous, wide distribution and with flat, formed cover
- Microprocessor-controlled LED operating electronics with control functionality for lighting management and monitoring
- Replaceable LED module
- Gradiated flange allows precise tilt adjustment (0°, +/-10°, +/-15°)
- Mast flanges for spigot sizes 42/60/76mm
- Long LED system life of 60,000 hours
- Colour temperatures available in 3000K, 4000K and 5000K

KEY APPLICATIONS

- Roadway (P & V)
- Pedestrian Illumination
- Car Park
- Amenity
- Security Lighting



siteco

The decisive difference between high and low quality LED road luminaires is to be found in their lighting technology. Here SL10 sets new standards with its innovative, efficient technical solutions.

The LED module with its highly precise optical systems of LED arrays, High Definition reflectors and visor guides the light onto the road surface with a high degree of precision, achieved to an extent and in a quality that can hardly be matched. In contrast to the all-round light distribution of conventional lamps, LEDs radiate light exclusively into the lower hemisphere. Emitted light is guided with a great precision onto the road via the sophisticated faceted surfaces of each high definition reflector.

Basic: with electronic control gear is fitted as standard, featuring overheat protection.

Options of Constant luminous flux control with the Siteco "Plus" and "Premium" control gear compensates for the reduction of luminous flux resulting from ageing. Over designing is no longer required, providing energy savings and increasing the service life whilst maintaining a constant light level.

LUMINAIRE CONSTRUCTION

- LED module 4000K as standard
- Pressure die-cast aluminium body
- Integrated heat sink
- Hinged access cover
- Side entry mounting and post top, 42/60mm O.D. pipe
- Post Top mounting, fits 76mm O.D. pipe with adjustable upcast: 0°, 5°, 10°, 15°
- IP66 LED module
- IP65 control gear chamber
- Class II
- Powdercoated Siteco metallic grey (DB702S) as standard

Additional features of the Siteco "Plus" or "Premium" electronic control gear as follows.

Plus Version: with constant light output system, providing energy savings in the order of 15%. Variable power/setting to enable light output to be tailored for each application. Time dependent step dimming system (no control wires required). Overheat protection.

Premium Version: with light management and control system ready (over powerline) providing maximum flexibility. Network programmable luminaire control, switching, dimming & monitoring. Constant light output system, providing energy savings in the order of 15%. Variable power/setting to enable light output to be tailored for each application. Time dependent step dimming system (no control wires required). Overheat protection.

The LED module and control gear is easily replaceable in the event of failure or future upgrades.

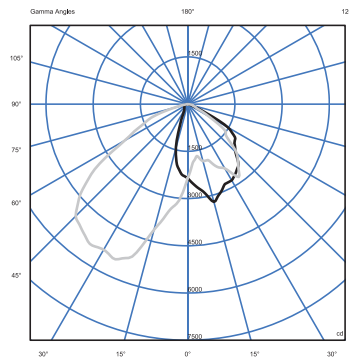
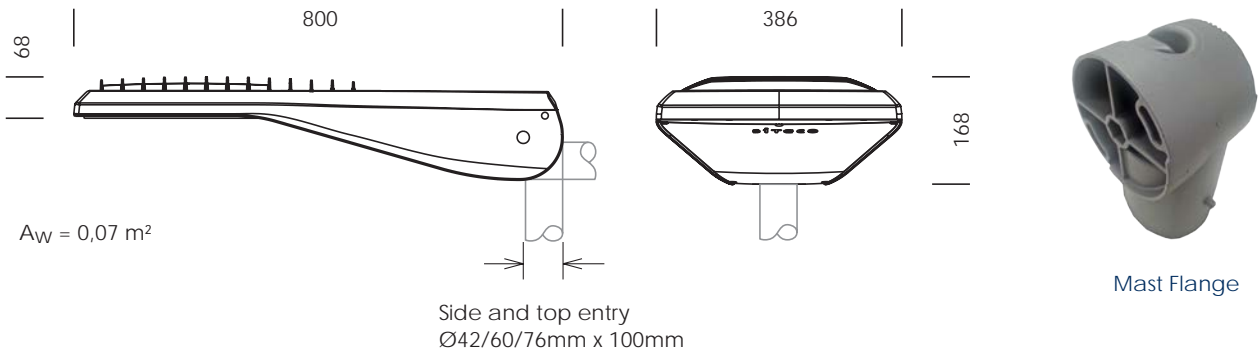
An innovative mounting system allows the luminaire to be side or post top mounted.

OPTIONS AVAILABLE

- Colour temperature 3000K & 5000K
- Dimming
- Siteco "Premium" or "Plus" electronic control gear
- Mast flange/Spigot size 60mm or 76mm
- Polyester powdercoat finish in various RAL colours
- Pedestrian crossing optics

Description	CCT	CRI	Lm	W	mA	lm/W	Weight	Order
Standard								
SL10 MIDI LED Basic	4000K	70	9000	89	455	101.1	11.4kg	RAA99001L89
SL10 MIDI LED Plus	4000K	70	7300	71	365	102.8	11.4kg	RAA99101L89
SL10 MIDI LED Premium	4000K	70	7300	71	365	102.8	11.4kg	RAA99201L89
Pedestrian Crossing - Left								
SL10 MIDI LED Basic	4000K	70	7500	79	400	94.9	10.6kg	RAA99001L79
SL10 MIDI LED Plus	4000K	70	6300	65	330	96.9	11.4kg	RAA99101L79
SL10 MIDI LED Premium	4000K	70	6300	65	330	96.9	11.4kg	RAA99201L79
Pedestrian Crossing - Right								
SL10 MIDI LED Basic	4000K	70	7500	79	400	94.9	10.6kg	RAA99002L79
SL10 MIDI LED Plus	4000K	70	6300	65	330	96.9	11.4kg	RAA99102L79
SL10 MIDI LED Premium	4000K	70	6300	65	330	96.9	11.4kg	RAA99202L79
SL10 Mast Flanges - Gen 2								
SL10 Mounting Bracket 42mm DB702S							0.4kg	RA99MF42
SL10 Mounting Bracket 60mm DB702S							0.5kg	RA99MF60
SL10 Mounting Bracket 76mm DB702S							0.6kg	RA99MF76

Note: The above codes are for standard products only. Please refer to your local SLA representative for more options. Please order the 'mast cable set' separately for configuration of the "Plus" version with installed luminaire. Please order SLC lighting management components for the "Premium" version separately if required. **Must order mast flange according to spigot diameter and mounting requirement separately.**



SL10 Midi Basic LED 4K 89W

