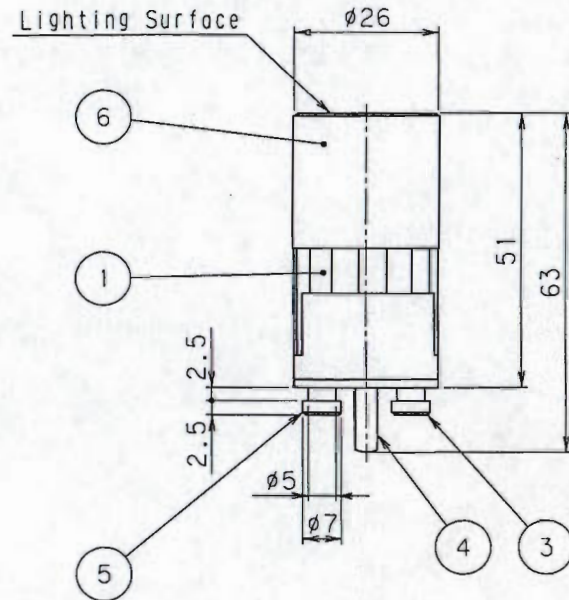


COMPONENT PARTS LIST

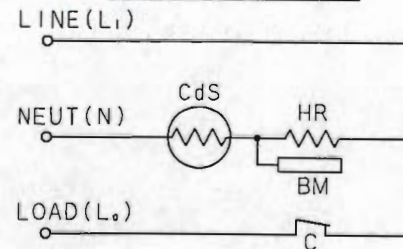
No	Description	Quantity	Material
1	Cover	1	Methacryle
2	Base	1	ABS
3	Base Blade L _i	1	Brass
4	Base Blade N	1	Brass
5	Base Blade L _e	1	Brass
6	Shroud	1	

SPECIFICATION

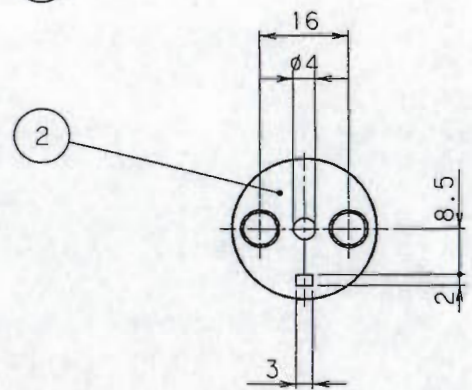
1	Rated Voltage	AC240V
2	Operating Voltage	AC210~260V
3	Current Rating	3A
4	Maximum Power Consumption	1.5W
5	Withstand Voltage	3kV
6	Insulation Resistance	10MΩ
7	Switching Capacity	500VA/PF0.45 500W
8	Turn-On Level	10~20Lx (80%) 10~31.5Lx(100%)
9	Turn-Off Level	40 ~100 / 140
10	Maximum On/Off Ratio	1/5
11	Operating Temperature Range	-10°C~60°C
12	Moisture Resistance	95% RH
13	Type of Surge Protection	none
14	Rating of Surge Protection	-
15	Base Type	D-2



CIRCUIT DIAGRAM



HR : Resistor
 BM : Bi-Metal
 CdS : Photo Conductor
 C : Contacts



(UNIT: mm)

MARK	CORRECTED	CAREER	DATE	SIGN	DESIGN	ARTICLE	PHOTO CONTROLS
					T. Sakamuro	MODEL	AS-2403P3
					T. Sakamuro	DRAWING No.	R3A001312A
					S. Mar. '98 H. Kontani H. Kontani	SCALE	1/1
					T. Noriaki T. Noriki	DATE	5. Mar. '98

KAGA, INC.